

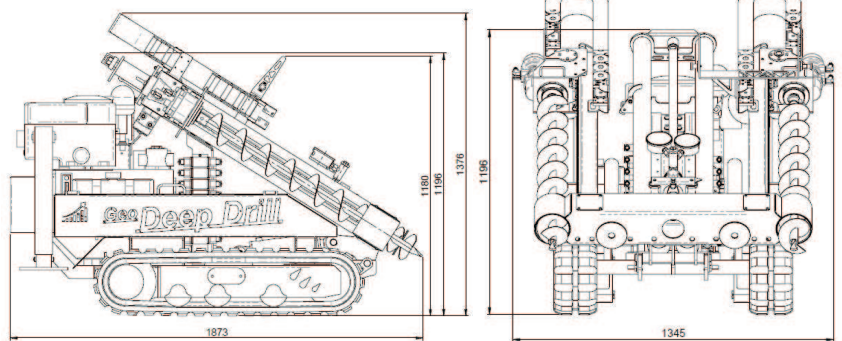


Static SP100M SP100T SP100SM

Geo Deep Drill S.r.L.
www.geodeepdrill.com info@geodeepdrill.it



packing list
10 rods ø36x1000
1 Begemann tip
2 auger ø130x1250 Mtip
2 auger ø130x700 MF
2 rods ø32x700 MF



modello	SP100M SP100T SP100SM
tipo	STATICO 10t AGI - UNI
spinta	spinta in infissione: 102 kN (10t)
trazione	trazione in estrazione: 119 kN (12t)
avanzamento	acquisizione da 1 a 20 cm
punta	Begemann CPT / CPTU SCPT CPTE
asta	aste da 1000x36 mm + 1000x15 mm C38
velocità	1,00 m for 50" 1,00 m for 20"
ancoraggio	coclee ø 13x120 cm ø 13x75 cm
lettura dati	2 manometri ø100mm (0-60) (0-400)bar
centralina	14-18 HP accensione elettrica 14 lit/min oil
sottocarro	Khoeler / Lombardini
carburante	benzina serbatoio da 4,20L
olio idraulico	~30L OSO 40 (visc. 40° 41)
dimensioni	187x134x137cm colonna reclinata
peso	~1050 kg su semovente base
parti rimovibili	4 (colonna, ancoraggi, sottocarro)
tipi di suolo	argilla, limo, sabbia fine
max profondità	<20m argilla - limo , sabbia
campionatore	fustella pvc ø 40-60-80x350mm
kit sondaggi	3 (coclea ø65x1000) + 3 (asta ø32x1000)
kit dinamico	DM30 (30kg x 50cm)



models	SP100M SP100T SP100SM
kind	STATIC 10t TEST PENETROMETER
push down force	102 kN (10t)
extraction	traction in extraction: 119 kN (12t)
step	acquisition value every 1 / 20 cm
tip	Begemann CPT / CPTU SCPT CPTE
rod	1000x36 mm +1000x15 mm (C38 steel)
acquisition	1,00 m for 50" 1,00 m for 20"
anchorage	auger ø 13x120 cm ø 13x75 cm
reading data	2 gougues ø100mm (0-60) (0-400)bar
power unit	14-18 HP electric ignition 14 lit/min oil
carriage	Khoeler / Lombardini
fuel	gasoline tank 4,20L
hydraulic oil	30L OSO 40 (visc. 40° 41)
dimensions	187x134x137cm tilted mast
weight	~ 1050 kg on crawler
remov. parts	4 (mast, anchorage runner , crawler)
types of soil	clay , silt , fine sand
max depth	<20 m clay, silt , sand
sampler	pvc sampler ø 40-60-80x350mm
kit screw	3 (auger ø65x1000) + 3 (rod ø32x1000)
dynamic test kit	DM30 (30kg x 50cm)



modèle	SP100M SP100T SP100SM
type	STATIQUE 10t AGI - UNI
poussée	poussée: 102kN (10t)
traction	arrachement 119kN (12t)
relevé de mesure	acquisition de données à 1 / 20 cm
pointe	Begemann CPT / CPTU SCPT CPTE
tige	1000x36 mm / 1000x15 mm C38
vitesse colonne	1,00 m for 50" 1,00 m for 20"
ancrage	tarière ø 13x120 cm ø 13x75 cm
lecture données	2 manomètres ø100mm (0-60) (0-400)bar
puissance mot.	14-18 HP allumage électrique 14 lit/min oil
chenillard	Khoeler / Lombardini
carburant	essence réservoir 4,20L
huile hydrau.	~ 30L OSO 40 (visc. 40° 41)
dimensions	187x134x137cm colonne inclinée
poids	~1050Kg on chenilles
pièces amovib.	4 (colonne, ancrage, chariot)
types de sols	argile, silt, sable
profond. max.	<20m argile, silt, sable
echantillonneur	tube pvc ø 40-60-80/350mm
kit d'échantillon.	3 (tarière ø65x1000) + 3 (tige ø32x1000)
kit dynamique	DM30 (30kg x 50cm)



modelo	SP100M SP100T SP100SM
carateristica	STATIC 10t AGI - UNI
empuje	empuje: 102 kN (10t)
tracción	tracción 119kN (12t)
penetración	adquisición 10/20 cm
punta	Begemann CPT / CPTU SCPT CPTE
verilla	1000x36 mm / 1000x15 mm C38
velocidad colum.	1,00 m for 50" 1,00 m for 20"
anclase	cóclea ø 13x120 cm ø 13x75 cm
lectura de datos	2 manómetros ø100mm (0-60) (0-400)bar
central oleo.	14/18HP arranque eléctrico 14 lit/min oil
carro	Khoeler / Lombardini
carburante	depósito de gasolina da 4,20L
aceite hidráulico	~ 30L OSO 40 (visc. 40° 41)
dimensiones	187x134x137cm columna inclinada
peso	~1050kg on orugas
piezas removib.	4 (colomna, anchorage, carro)
tipo suelo	arcilla, limo, arena
máxima profund.	<20m arcilla, limo , arena
probador	punzón hueco pvc ø 40-60-80x350mm
kit sondeos	3 (ø65x1000 tornillo) + 3 (ø32x1000 extensión)
kit dinámico	DM30 (30kg x 50cm)