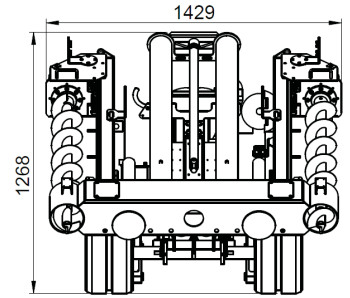
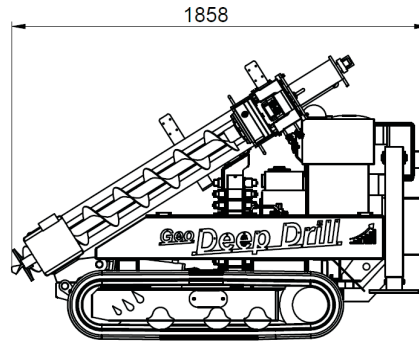




# Static SP150-200 M/T/SM

Geo Deep Drill S.r.L.  
www.geodeepdrill.com info@geodeepdrill.it



<b>modello</b>	SP150M/T/SM SP200M/T/SM
<b>tipo</b>	STATICO 15t e 20t AGI - UNI
<b>spinta</b>	spinta in infissione: 152 kN - 203kN
<b>trazione</b>	trazione in estrazione: 172 kN 224 kN
<b>avanzamento</b>	acquisizione da 1,00 a 20,00 cm
<b>punta</b>	Begemann CPT / CPTU SCPT CPTE
<b>asta</b>	aste da 1000x36 mm + 1000x15 mm C38
<b>velocità</b>	1,00 m for 50" 1,00 m for 20"
<b>ancoraggio</b>	coclee ø 15x125 cm ø 15x75 cm
<b>lettura dati</b>	2 manometri ø160mm (0-60) (0-400)bar
<b>centralina</b>	18-22 HP accensione elettrica 21 l/min oil
<b>sottocarro</b>	Khoeler / Lombardini
<b>carburante</b>	benzina serbatoio da 10L
<b>olio idraulico</b>	~45L OSO 40 (visc. 40° 41)
<b>dimensioni</b>	187x143x130cm colonna reclinata
<b>peso</b>	~1250 kg su semovente base
<b>parti rimovibili</b>	4 (colonna, ancoraggi, sottocarro)
<b>tipi di suolo</b>	argilla, limo, sabbia, ghiaie
<b>max profondità</b>	<30m argilla - limo , sabbia
<b>campionatore</b>	fustella pvc ø 40-60-80x350mm
<b>kit sondaggi</b>	3 (coclea ø65x1000) + 3 (asta ø32x1000)
<b>kit dinamico</b>	DM30 - DPH50 - DPSH63



<b>models</b>	SP150M/T/SM SP200M/T/SM
<b>kind</b>	STATIC 15t e 20t TEST PENETROMETER
<b>push down force</b>	152 kN - 203kN
<b>extraction</b>	traction in extraction: 172 kN 224 kN
<b>step</b>	acquisition value every 1 / 20 cm
<b>tip</b>	Begemann CPT / CPTU SCPT CPTE
<b>rod</b>	1000x36 mm +1000x15 mm (C38 steel)
<b>acquisition</b>	1,00 m for 50" 1,00 m for 20"
<b>anchorage</b>	auger ø 15x125 cm ø 15x75 cm
<b>reading data</b>	2 gouges ø160mm (0-60) (0-400)bar
<b>power unit</b>	18 -22 HP electric ignition 21 l/min oil
<b>carriage</b>	Khoeler / Lombardini
<b>fuel</b>	gasoline tank 10L
<b>hydraulic oil</b>	~45L OSO 40 (visc. 40° 41)
<b>dimensions</b>	187x143x130cm tilted mast
<b>weight</b>	~ 1250 kg on crawler
<b>remov. parts</b>	4 (mast, anchorage runner , crawler)
<b>types of soil</b>	clay , silt , fine sand
<b>max depth</b>	<30,00 m clay, silt , sand, gravel
<b>sampler</b>	pvc sampler ø 40-60-80x350mm
<b>kit screw</b>	3 (auger ø65x1000) + 3 (rod ø32x1000)
<b>dynamic test kit</b>	DM30 - DPH50 - DPSH63



<b>modèle</b>	SP150M/T/SM SP200M/T/SM
<b>type</b>	STATIQUE 15t e 20t AGI - UNI
<b>poussée</b>	poussée: 152 kN - 203kN
<b>traction</b>	arrachement 172 kN 224 kN
<b>relevé de mesure</b>	acquisition de données à 1 / 20 cm
<b>pointe</b>	Begemann CPT / CPTU SCPT CPTE
<b>tige</b>	1000x36 mm / 1000x15 mm C38
<b>vitesse colonne</b>	1,00 m for 50" 1,00 m for 20"
<b>ancrage</b>	tarière ø 13x120 cm ø 13x75 cm
<b>lecture données</b>	2 manomètres ø160mm (0-60) (0-400)bar
<b>puissance mot.</b>	18-22 HP allumage électrique 21 l/min oil
<b>chenillard</b>	Khoeler / Lombardini
<b>carburant</b>	essence réservoir 10L
<b>huile hydrau.</b>	~ 45L OSO 40 (visc. 40° 41)
<b>dimensions</b>	187x143x130cm colonne inclinée
<b>poids</b>	~1250Kg on chenilles
<b>pièces amovib.</b>	4 (colonne, ancrage, chariot)
<b>types de sols</b>	argile, silt, sable, gravier
<b>profond. max.</b>	<30m argile, silt, sable
<b>echantillonneur</b>	tube pvc ø 40-60-80/350mm
<b>kit d'échantillon.</b>	3 (tarière ø65x1000) + 3 (tige ø32x1000)
<b>kit dynamique</b>	DM30 - DPH50 - DPSH63



<b>modelo</b>	SP150M/T/SM SP200M/T/SM
<b>carateristica</b>	STATIC 15t e 20t AGI - UNI
<b>empuje</b>	empuje: 152 kN - 203kN
<b>tracción</b>	tracción 172 kN 224 kN
<b>penetración</b>	adquisición 1/20 cm
<b>punta</b>	Begemann CPT / CPTU SCPT CPTE
<b>verilla</b>	1000x36 mm / 1000x15 mm C38
<b>velocidad colum.</b>	1,00 m for 50" 1,00 m for 20"
<b>anclase</b>	cóclea ø 13x120 cm ø 13x75 cm
<b>lectura de datos</b>	2 manómetros ø160mm (0-60) (0-400)bar
<b>central oleo.</b>	18/22HP arranque eléctrico 21 l/min oil
<b>carro</b>	Khoeler / Lombardini
<b>carburante</b>	depósito de gasolina da 10L
<b>aceite hidráulico</b>	~ 45L OSO 40 (visc. 40° 41)
<b>dimensiones</b>	187x143x130cm columna inclinada
<b>peso</b>	~1250kg on orugas
<b>piezas removib.</b>	4 (columna, anchorage, carro)
<b>tipo suelo</b>	arcilla, limo, arena, grava
<b>máxima profund.</b>	<30m arcilla, limo , arena
<b>probador</b>	punzón hueco pvc ø 40-60-80x350mm
<b>kit sondeos</b>	3 (ø65x1000 tornillo) + 3 (ø32x1000 extensión)
<b>kit dinámico</b>	DM30 - DPH50 - DPSH63