



Dynamic DM30M

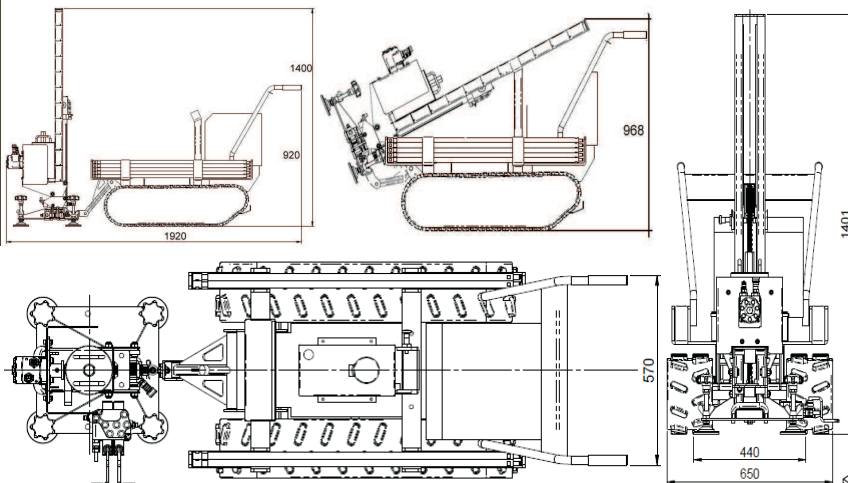
Geo Deep Drill S.r.L.
www.geodeepdrill.com info@geodeepdrill.it

DM30T DM30SM



packing list

- 10 rods ø22x1000 M14
- 2 recoverable tips
- 5 to lose tips
- 9 pipe coating



modello	DM30M DM30T DM30SM
tipo	DINAMICO MEDIO CLASSIF. AGI - UNI
massa battente	30,0 kg - ø: 148 mm x H: 232 mm
altezza caduta	>20,00 cm / 50,00 (Evo. IV) 59,87 Joule
avanzamento	acquisizione ogni 10,00 cm
punta	ø 36,00 mm - angolo 60° - A 10,00 cm ²
asta	acciaio 1000x22 mm M14 tacca 10,00 cm
rivestimento	30x1000 mm acciaio c40
frequenza colpi	10-60 colpi per minuto
stabilizzatori	a vite 20,00 cm
centralina	Briggs & Stratton 3,5 HP 3 lit/min 5litres
sottocarro	Khoeler 7 HP 4 lit/min 7lit. acc.elettrica
carburante	benzina serbatoio da 4,20L
olio idraulico	6,00L OSO 40 (visc. 40° 41)
dimensioni	196x65x96cm colonna reclinata
peso	~280Kg su semovente variabile
parti rimovibili	4 (colonna, massa, carrello, centralina)
tipi di suolo	argilla, limo, sabbia fine
max profondità	>15m argilla - limo , <10 sabbia
campionatore	fustella pvc ø 40x350mm
kit sondaggi	3 (coclea ø38x1000) + 3 (asta ø24x1000)
kit prova statica	cilindro spinta 25kN con manometro



models	DM30M DM30T DM30SM
kind	MEDIUM DYNAMIC TEST AGI - UNI stand.
hammer	30,0 kg - ø: 148 mm x H:232
height of fall	20,00 cm - 50,00 (Evo. IV) 58,8 Joule
step	acquisition value every 10,00 cm
tip	ø 36,00 mm - angle 60° - area 10,00 cm ²
rod	steel 1000x22 mm M14 mark 10,00 cm
coating	30x1000 mm steel c40
impact rate	10-60 strokes/minute
stabilizers	grip screw 20,00 cm
power unit	Briggs & Stratton 3,5 HP 3 litres/min 5litres
carriage	Khoeler 7 HP 4 lit/min 7lit. electric ignition
fuel	gasoline tank 4,20L
hydraulic oil	6,00L OSO 40 (visc. 40° 41)
dimensions	196x65x96cm tilted mast
weight	~ 280kg on crawler
remov. parts	4 (mast, hammer , support , unit)
types of soil	clay , silt , fine sand
max depth	>15,00 m clay, 10,00 m silt , <10,00 sand
sampler	pvc sampler ø 40x350mm
kit screw	3 (auger ø38x1000) + 3 (rod ø24x1000)
kit static (tip)	push down force 25kN with pressure gauge



modèle	DM30M DM30T DM30SM
type	Moyenne Dynamique CLASS. AGI - UNI
mouton	30,0 kg - ø: 148 mm x H:232
hauteur de chute	20,00 cm - 50,00 (Evo. IV) 58,8 Joule
relevé de mesure	acquisition de données à 10 cm
pointe	ø 36,00 mm - angle 60° - surface 10 cm ²
tige	acier 1000x22 mm M14 marquage 10 cm
revêtement	30x1000 mm acier c40
vitesse de frappe	10-60 coups par minute
stabilisateurs	Patin à vis - Verrouillé de 20cm
puissance mot.	Briggs & Stratton 3,5 HP 3 litres/min 5litres
chenillard	Khoeler 7 HP 4lit/min 7lit. allumage électrique
carburant	essence réservoir 4,20L
huile hydrau.	6,00L OSO 40 (visc. 40° 41)
dimensions	196x65x96 cm colonne inclinée
poids	~280 Kg on chenilles
pièces amovib.	4 (colonne, masse, chariot, groupe hydr.)
types de sols	argile, silt, sable fin
profond. max.	>15m argile, 10m silt , <10 sable
echantillonneur	tube pvc ø 40x350mm
Kit sondage	3 tarières ø 38 x 1000 + 3 tiges D. 24
kit statique (tip)	25 kN poussée cylindre avec manomètre



modelo	DM30M DM30T DM30SM
carateristica	Dinámico Medio CLASS. AGI - UNI
peso de la maza	30,0 kg - ø: 148 mm x H: 232 mm
altura de caída	>20,00 cm / 50,00 (Evo. IV) 59,87 Joule
penetración	adquisición 10,00 cm
punta	ø 36,00 mm - esquina 60° - A 10,00 cm ²
verilla	acero 1000x22 mm M14 mark 10,00 cm
rivestimiento	30x1000 mm acero c40
frecuencia	10-60 golpes por minuto
estabilizadores	a tornillo 20,00 cm
central oleo.	Briggs & Stratton 3,5 HP 3 litres/min 5litres
carro	Khoeler 7 HP 4lit/min 7lit. arranque eléctrico
carburante	depósito de gasolina da 4,20L
aceite hidráulico	6,00L OSO 40 (visc. 40° 41)
dimensiones	196x65x96 columna inclinada
peso	~ 280kg on carro
piezas removib.	4 (columna, martillo,carrito, caja)
tipo suelo	arcilla, limo, arena fina
máxima profund.	>15m arcilla, 10m limo , <10 arena
sampler	tubo en pvc ø 40x350mm
kit sondeos	3 (cóclea ø38x1000) + 3 (barra ø24x1000)
kit estático (tip)	cilindro para emportar 25 kN con manómetro