



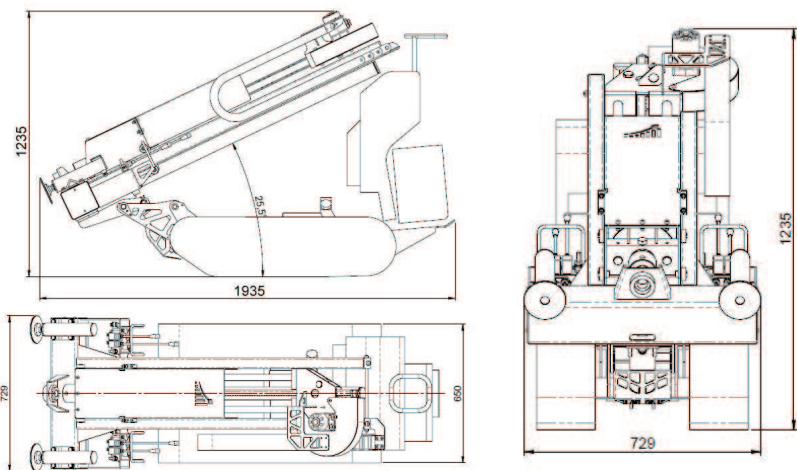
# Dynamic DPSH63M DPSH63T DPH63SM

Geo Deep Drill S.r.L.  
www.geodeepdrill.com info@geodeepdrill.it



packing list

- 15 rods ø32x1000 M22
- 2 recoverable tips
- 5 to lose tips
- 9 pipe coating



<b>modello</b>	DPSH63M DPSH63T DPSH63SM
<b>tipo</b>	DINAMICO SUPER PESANTE AGI - UNI
<b>massa battente</b>	63,0 kg - ø: 208 mm x H: 265 mm
<b>altezza caduta</b>	>75 cm (Evo. IV) 463 Joule
<b>avanzamento</b>	acquisizione ogni 10 / 20 cm
<b>punta</b>	ø 50,00 mm - angolo 90° - A 20,00 cm²
<b>asta</b>	acciaio 1000x32 mm M22 tacca 20,00 cm
<b>rivestimento</b>	42x1000 mm acciaio c40
<b>frequenza colpi</b>	20-30 colpi per minuto
<b>stabilizzatori</b>	a cilindro oleo. 15,00 cm
<b>centralina</b>	Briggs & Stratton 3,5 HP 3 lit/min 5litres
<b>sottocarro</b>	Khoeler 7/10 HP 8 lit/min 20lit. acc.elettrica
<b>carburante</b>	benzina serbatoio da 4,20L
<b>olio idraulico</b>	~20,00L OSO 40 (visc. 40° 41)
<b>dimensioni</b>	195x75x123cm colonna reclinata
<b>peso</b>	~680Kg su semovente base
<b>parti rimovibili</b>	3 (colonna, massa, serbatoio)
<b>tipi di suolo</b>	argilla, limo, sabbia, ghiaia
<b>max profondità</b>	>20m argilla, limo, sabbia
<b>campionatore</b>	fustella pvc ø 40x350mm 60x350mm
<b>kit sondaggi</b>	3 (coclea ø50x1000) + 3 (asta ø25x1000)
<b>kit prova statica</b>	non previsto



<b>models</b>	DPSH63M DPSH63T DPSH63SM
<b>kind</b>	SUPER HEAVY DYNAMIC TEST AGI - UNI
<b>hammer</b>	63,0 kg - ø: 208 mm x H:265
<b>height of fall</b>	>75 cm 463Joule
<b>step</b>	acquisition value every 10 / 20 cm
<b>tip</b>	ø 50,00 mm - angle 90° - area 20,00 cm²
<b>rod</b>	steel 1000x32 mm M22 mark 20,00 cm
<b>coating</b>	42x1000 mm steel c40
<b>impact rate</b>	20-30 strokes/minute
<b>stabilizers</b>	hydraulic cylinder 15,00 cm
<b>power unit</b>	Briggs & Stratton 3,5 HP 3 litres/min 5litres
<b>carriage</b>	Khoeler 7/10 HP 8 lit/min 20lit. electric ignition
<b>fuel</b>	gasoline tank 4,20L
<b>hydraulic oil</b>	20,00L OSO 40 (visc. 40° 41)
<b>dimensions</b>	195x75x123cm tilted mast
<b>weight</b>	~ 680kg on crawler
<b>remov. parts</b>	3 (mast, hammer, tank)
<b>types of soil</b>	clay, silt, sand, gravel
<b>max depth</b>	>20,00 m clay, silt, sand
<b>sampler</b>	pvc sampler ø 40x350mm 60x350mm
<b>kit screw</b>	3 (auger ø50x1000) + 3 (rod ø25x1000)
<b>kit static (tip)</b>	not available



<b>modèle</b>	DPSH63M DPSH63T DPSH63SM
<b>type</b>	Dynamique Super Lourde AGI - UNI
<b>mouton</b>	63,0 kg - ø: 208 mm x H: 265 mm
<b>hauteur de chute</b>	>75 cm (Evo. IV) 463 Joule
<b>relevé de mesure</b>	acquisition de données à 10 / 20 cm
<b>pointe</b>	ø 50,00 mm - angle 90° - A 20,00 cm²
<b>tige</b>	acier 1000x32 mm M22 marquage 20 cm
<b>revêtement</b>	42x1000 mm acier c40
<b>vitesse de frappe</b>	20-30 coups par minute
<b>stabilisateurs</b>	cylindre hydraulique 15,00cm
<b>puissance mot.</b>	Briggs & Stratton 3,5 HP 3 litres/min 5litres
<b>chenillard</b>	Khoeler 7/10 HP 8lit/min 20lit. allumage électri.
<b>carburant</b>	essence réservoir 4,20L
<b>huile hydrau.</b>	20,00L OSO 40 (visc. 40° 41)
<b>dimensions</b>	195x75x123cm colonne inclinée
<b>poids</b>	~680 Kg on chenilles
<b>pièces amovib.</b>	3 (colonne, masse, réservoir)
<b>types de sols</b>	argile, silt, sable, gravier
<b>profond. max.</b>	>20m argile, silt, sable
<b>echantillonneur</b>	tube pvc ø 40x350mm 60/350mm
<b>Kit sondage</b>	3 tarières ø 50 x 1000 + 3 tiges ø 25
<b>kit statique (tip)</b>	pas disponible



<b>modelo</b>	DPSH63M DPSH63T DPSH63SM
<b>carateristica</b>	Dinámico Super Pesado AGI - UNI
<b>peso de la maza</b>	63,0 kg - ø: 208 mm x H: 265 mm
<b>altura de caída</b>	>75 cm (Evo. IV) 463 Joule
<b>penetración</b>	adquisición 10/20 cm
<b>punta</b>	ø 50,00 mm - esquina 90° - A 20,00 cm²
<b>verilla</b>	acero 1000x32 mm M22 mark 20,00 cm
<b>rivestimiento</b>	42x1000 mm acero c40
<b>frecuencia</b>	20-30 golpes por minuto
<b>estabilizadores</b>	cilindro hidráulico 15,00 cm
<b>central oleo.</b>	Briggs & Stratton 3,5 HP 3 litres/min 5litres
<b>carro</b>	Khoeler 7/10 HP 8lit/min 20lit. arranque electr.
<b>carburante</b>	depósito de gasolina da 4,20L
<b>aceite hidráulico</b>	20,00L OSO 40 (visc. 40° 41)
<b>dimensiones</b>	195x75x123cm columna inclinada
<b>peso</b>	~ 680kg on carro
<b>piezas removib.</b>	3 (columna, martillo, caja)
<b>tipo suelo</b>	arcilla, limo, arena, grava
<b>máxima profund.</b>	>20m arcilla, limo, arena
<b>sampler</b>	tubo en pvc ø 40-60 x350mm
<b>kit sondeos</b>	3 (cóclea ø50x1000) + 3 (barra ø25x1000)
<b>kit estático (tip)</b>	no disponible